

NOTE:  
Please read all instructions  
carefully before using this  
product

Table of Contents

Safety Notice

Important Assembly  
Information

Care and Maintenance

Parts List

Warranty

Ordering Parts

Model  
MD-7492

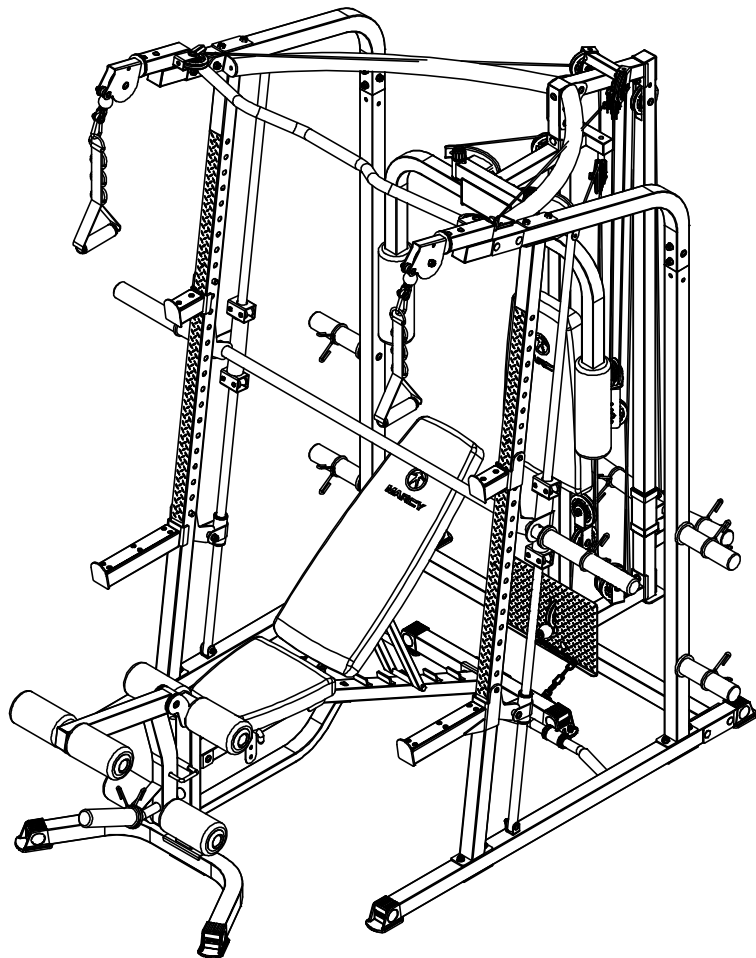
Retain This  
Manual for  
Reference

220414

**OWNER'S  
MANUAL**

# MARCY®

## DELUXE SMITH MACHINE MD-7492



**IMPORTANT:** Please read this manual before commencing  
assembly of this product.

**IMPEX® INC.**

2801 S. Towne Ave, Pomona, CA 91766

Tel: 800-999-8899

[www.marcypro.com](http://www.marcypro.com)

[support@impex-fitness.com](mailto:support@impex-fitness.com)

---

## TABLE OF CONTENTS

BEFORE YOU BEGIN	1
IMPORTANT SAFETY NOTICES	2
EXERCISE GUIDELINES	3
WARNING LABEL PLACEMENT	5
FREE AND TRAINING AREA	6
IMPORTANT ASSEMBLY INFORMATION	7
CABLE ASSEMBLY INSTRUCTION	8
WEIGHT CAPACITY AND DIMENSION	9
CARE AND MAINTENANCE	9
OPERATING NOTES	10
WEIGHT RESISTANCE CHART	11
SMITH MACHINE PARTS LIST	12
SMITH MACHINE EXPLODED DIAGRAM	15
BENCH PARTS LIST	17
BENCH EXPLODED DIAGRAM	19
WARRANTY	20
ORDERING PARTS	20

---

## BEFORE YOU BEGIN

Thank you for selecting MARCY DELUXE SMITH MACHINE MD-7492 by IMPEX® INC. For your safety and benefit, read this manual carefully before using the equipment. As a manufacturer, we are committed to providing you with complete customer satisfaction. If you have any questions, or find there are missing or damaged parts, we guarantee you complete satisfaction through direct assistance from our factory. To avoid unnecessary delays, *please call our TOLL-FREE customer service number.* Our Customer Service Agents will provide immediate assistance.

**Toll-Free Customer Service Number**

**1-800-999-8899**

**Mon. – Fri. 9 a.m. – 5 p.m. PST**

**[www.marcypro.com](http://www.marcypro.com)**

**[support@impex-fitness.com](mailto:support@impex-fitness.com)**

## IMPORTANT SAFETY NOTICE

This exercise equipment is built for optimum safety. However, certain precautions apply whenever you operate a piece of exercise equipment. Be sure to read the entire manual before you assemble or operate your equipment. In particular, note the following safety precautions:

1. **Keep children and pets away from the equipment at all times. DO NOT leave children unattended in the same room with the equipment.**
2. Only one person at a time should use the equipment.
3. If the user experiences dizziness, nausea, chest pain, or any other abnormal symptoms, STOP the workout at once. CONSULT A PHYSICIAN IMMEDIATELY.
4. Position the equipment on a clear, leveled surface. DO NOT use the equipment near water or outdoors.
5. Keep hands away from all moving parts.
6. Always wear appropriate workout clothing when exercising. DO NOT wear robes or other clothing that could become caught in the equipment. Running or aerobic shoes are also required when using the equipment.
7. Use the equipment only for its intended use as described in this manual. DO NOT use attachments not recommended by the manufacturer.
8. Do not place any sharp object around the equipment.
9. Disabled persons should not use the equipment.
10. Before using the equipment to exercise, always do stretching exercises to properly warm up.
11. Never operate the equipment if the equipment is not functioning properly.
12. A spotter is recommended during exercise.
13. **This equipment is designed and intended for home and consumer use only, not for commercial use.**

**WARNING: BEFORE BEGINNING ANY EXERCISE PROGRAM, CONSULT YOUR PHYSICIAN. THIS IS ESPECIALLY IMPORTANT FOR INDIVIDUALS OVER THE AGE OF 35 OR PERSONS WITH PRE-EXISTING HEALTH PROBLEMS. READ ALL INSTRUCTIONS BEFORE USING ANY FITNESS EQUIPMENT. IMPEX INC. ASSUMES NO RESPONSIBILITY FOR PERSONAL INJURY OR PROPERTY DAMAGE SUSTAINED BY OR THROUGH THE USE OF THIS PRODUCT.**

**SAVE THESE INSTRUCTIONS.**

## **EXERCISE GUIDELINES**

### ***Building Muscle and Gaining Weight***

Unlike aerobic exercise, which emphasizes endurance training, anaerobic exercise focuses on strength training. A gradual weight gain can occur while building the size and strength of muscles. While developing muscle mass, your body adapts to the stress placed upon it. You can modify your diet to include foods such as meat, fish and vegetables. These foods help muscles recover and replenish important nutrients after a strenuous workout.

### ***Muscle Strength and Endurance***

To achieve the greatest benefit from exercise, it is important to develop an exercise program that allows you to work all of the major muscle groups equally.

To increase muscle strength, follow this principle:

Increasing resistance and maintaining the number of repetitions of an exercise results in increased muscle strength.

To tone your body, follow this principle: Decreasing resistance plus increasing the number of repetitions of an exercise results in increased body tone.

Once you feel comfortable with an exercise, you can change the resistance, the number of repetitions, or the speed at which you do the exercise. It is not necessary to change all three variables. For example, let's say that you are training at 23 kg (50 lb.) and performing the exercise 10 times in 3 minutes. When this becomes too easy, you may decide to move up to lifting 27 kg (60 lb.) for the same number of repetitions in the same amount of time. Lifting more weights fewer times most often develops muscle strength. To gain both muscle strength and endurance, it is recommended that you perform each exercise 15 to 20 reps per set.

### ***Training Intensity***

How hard you begin to train depends on your overall level of fitness. The soreness you experienced can be lessened by decreasing the load you place on your muscles and by performing fewer sets. To avoid injury, you should gradually work into an exercise program and set the load to your individual fitness level. The load should increase as your fitness level increases.

Muscle soreness is common, especially when you first start exercising. If you are painfully sore for a long time, it may be time to change your program. Eventually, your muscle system will become accustomed to the stress and strain placed on it.

## ***Beginning a Strength Building Program***

### ***Warming Up***

To begin strength training, it is important to stretch and perform light exercise for 5 to 10 minutes. This helps prepare the body for more strenuous exercise by increasing circulation, raising your body temperature and developing more oxygen to your muscles.

### ***Workout***

For each workout, to keep in mind that muscle soreness that lasts for a long period is not desirable and may mean that injury has occurred.

### ***Cool Down***

At the end of each workout, perform slow stretching exercises for 5 to 10 minutes. Ease into each stretch only going as far as you can. This stage allows your muscles to wind down after training.

To provide a total workout program it is also recommended that 2 to 3 days of aerobic exercise is performed in addition to the strength training.

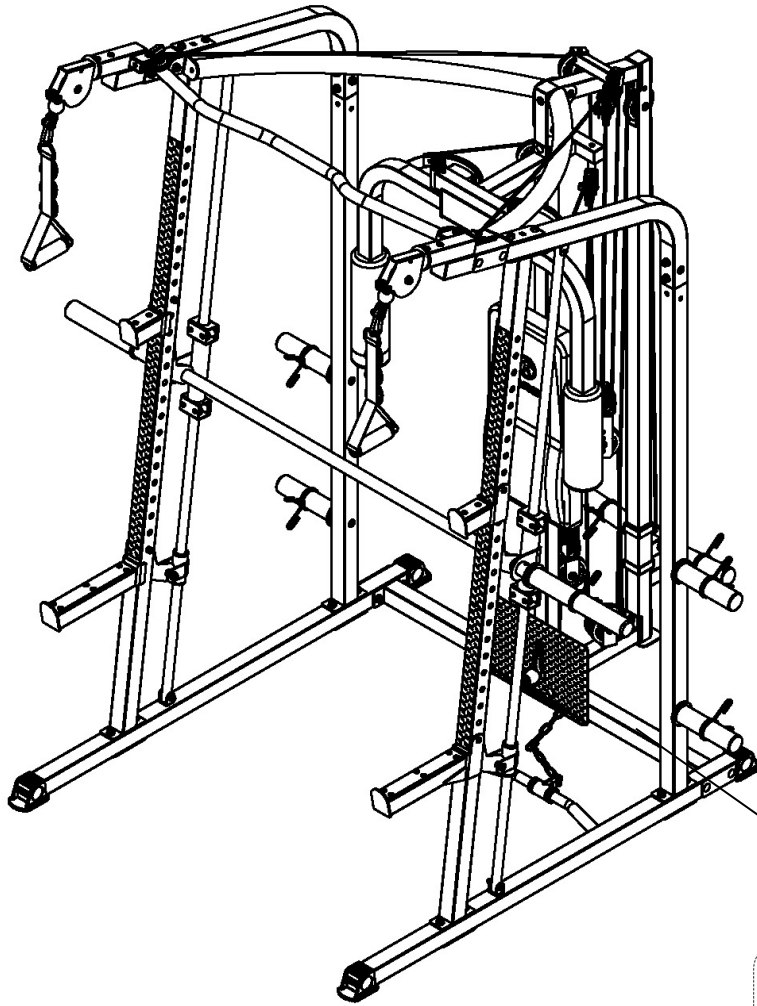
### ***Drinking Water***

For the body to function properly, it must be properly hydrated. If you are exercising, you should increase your fluid intake. The reason for this is that the water you take in will leave your system through the sweating mechanism that cools your body during exercise. The water you lose through exercise must be replaced so that the muscles can recover properly.

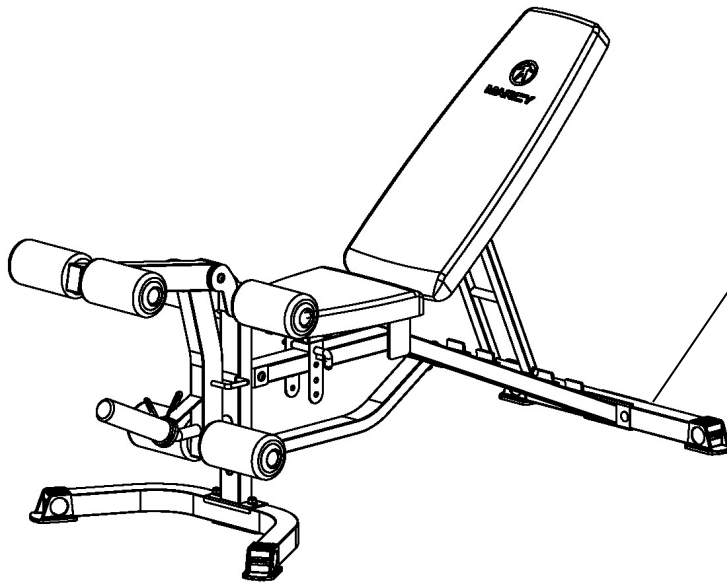
### ***Rest Day***

Although you may not feel like doing it, taking a rest day at least once a week is important because it gives your body a chance to heal itself. Continuously working your muscles will result in over-training, which will not benefit you in the long run.

# WARNING LABEL PLACEMENT

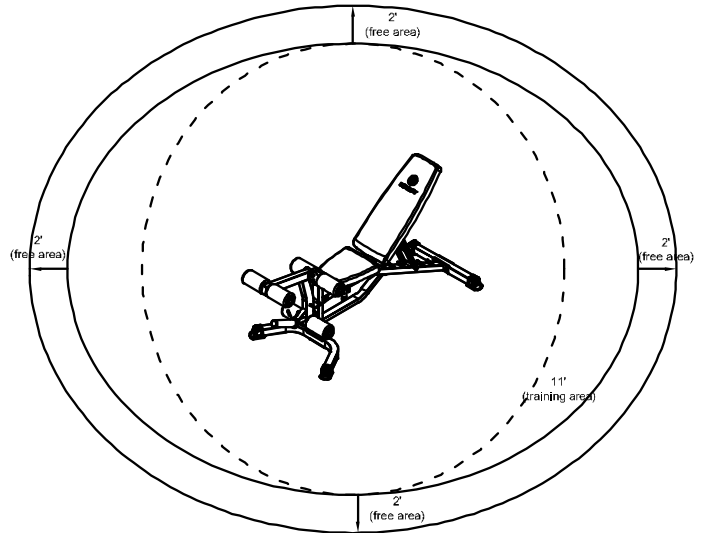
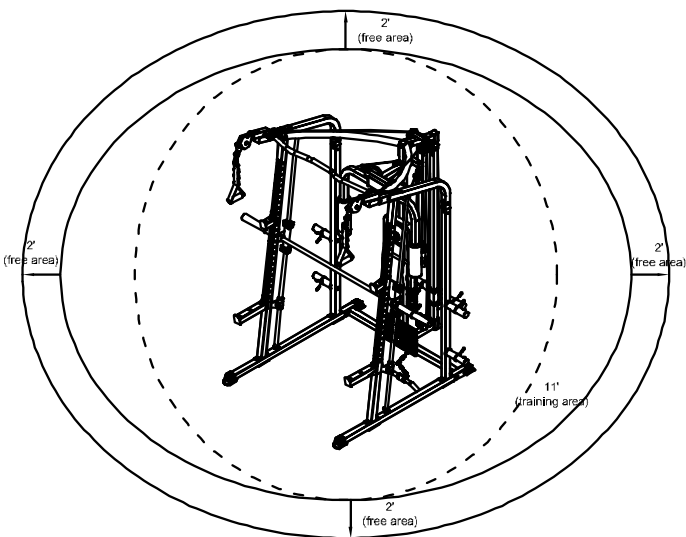
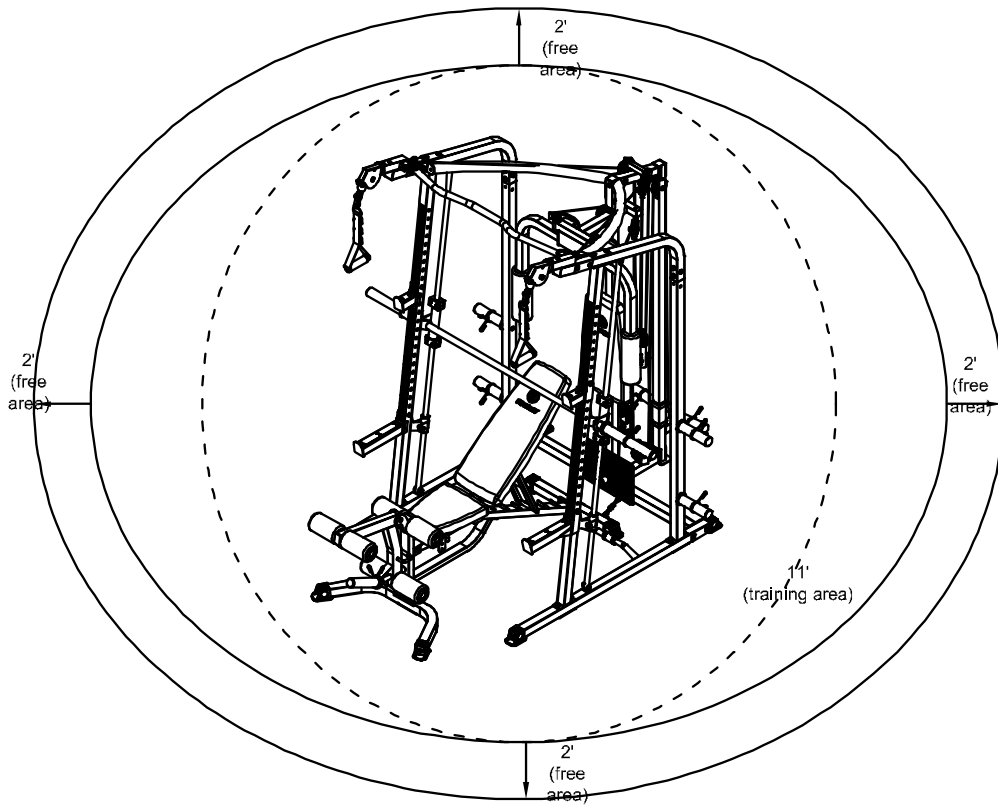


**! WARNING**  
**DO NOT MISUSE THIS EQUIPMENT**  
The possibility of serious injuries or death or both, (if applicable) may occur if caution is not used. Before beginning any exercise program, consult your physician. Read users manual. All warnings and instructions must be read and followed and proper instructions be obtained prior to use. Replace this label if damaged, illegible or removed. Keep children and pets away from this equipment. This machine is designed and intended for home and consumer use only, not for commercial use.



The warning labels shown here have been placed on the Cross Brace, Rear Stabilizer, and Upper Frame. If the labels are missing or illegible, please call customer service at 1-800-888-8899 for replacements. Apply the labels in the location shown.

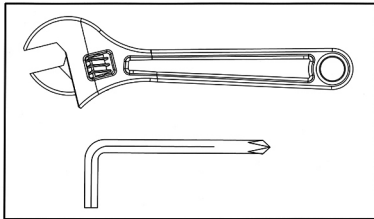
# FREE AND TRAINING AREA



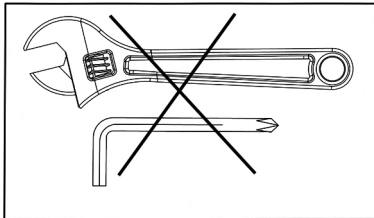
## IMPORTANT ASSEMBLY INFORMATION

- ❖ Tools required for assembling the bench: Two adjustable Wrenches and Allen wrenches.
- ❖ NOTE: It is strongly recommended that this equipment be assembled by two or more people to avoid possible injury.
- ❖ Ensure **Carriage Bolts** are inserted through the **SQUARE holes** on components that need to be assembled. Attach washer only to end of the Carriage Bolt.
- ❖ Use **Allen Bolts or Hex Bolts** inserted through the **ROUND hole** on components that need to be assembled.
- ❖ Always wait until all bolts are assembled onto the bench before tightening the bolts. Do not tighten each bolt right after it is installed

### Fasten Nuts and Bolts



**Securely tighten all nuts and bolts after all components have been assembled in current and previous steps.**  
**NOTE: Do not over-tighten any component with pivoting function.**  
**Make sure all pivoting components are able to move freely.**



**Do not tighten all nuts and bolts in this step.**

- ❖ **Inspect and ensure all bolts and Nuts are fastened after the equipment is completely assembled.**

### Assemble with correct Hardware Pack

- ❖ **Only use the hardware packs marked “For Smith Machine” to assemble Smith Machine.**
- ❖ **Only use the hardware packs marked “For Bench” to assemble Bench.**

### Tools

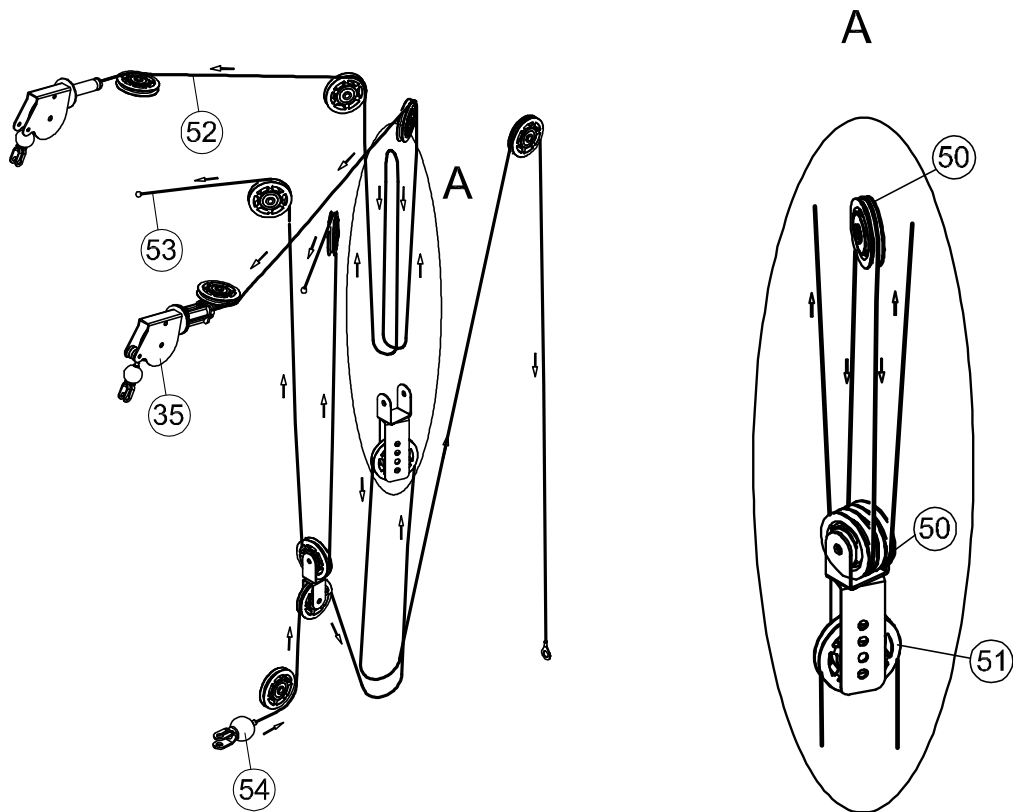
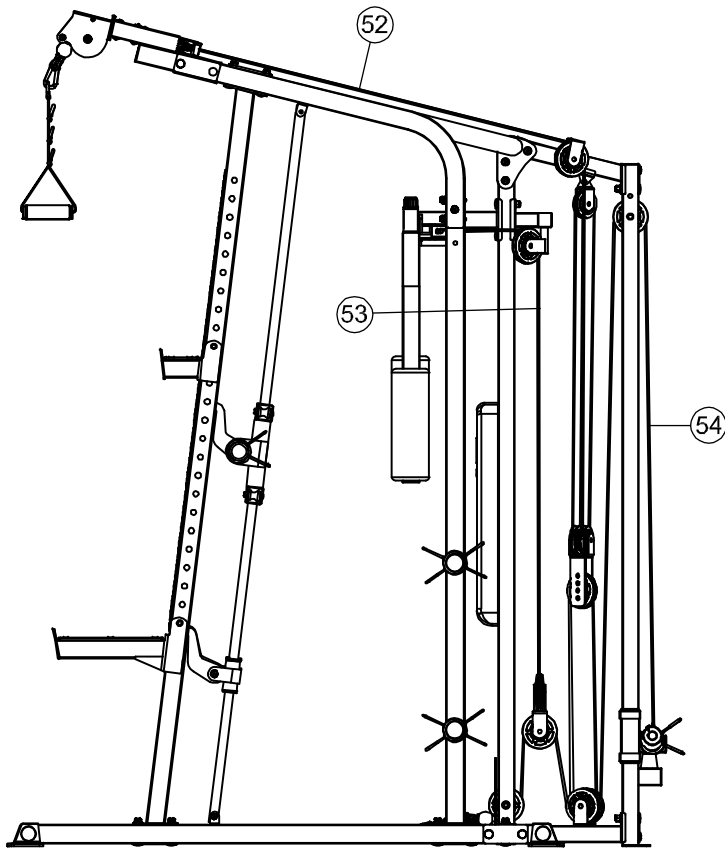
Tools required for assembling this equipment: Allen Wrenches (provided by manufacturer), and Adjustable Wrench, or Socket Wrench, or Ratchet Wrench.

**NOTE: It is strongly recommended that this machine be assembled and moved by two or more people to avoid possible injury.**



# SMITH MACHINE CABLE ASSEMBLY INSTRUCTION

## Cable Loop Diagram



## WEIGHT CAPACITY AND DIMENSION

1. Maximum user weight: 300 lbs.
2. Maximum weight on Sliding Weight Trolley (#9): 300 lbs (150lbs on each side)
3. Maximum weight on storage Weight Post (#15): 100 lbs
4. Maximum weight on Bar Catch (#10 & #11) and Safety Catch (#12 & #13): 300 lbs
5. Maximum weight on Cage Weight Bar (#24): 300 lbs
6. Maximum weight on Bench Leg Developer (#10): 100 lbs.
7. Cage assembled dimensions: 68"x80"x88"
8. Bench assembled dimensions: 67"x29"x46"

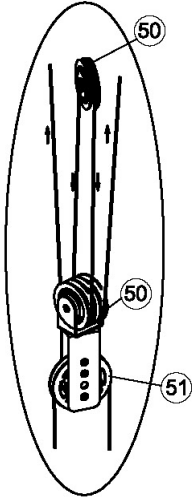
## CARE AND MAINTENANCE

1. Lubricate moving parts with WD-40 or light oil periodically.
2. Inspect and tighten all parts before using the equipment.
3. The equipment can be cleaned using a damp cloth and mild non-abrasive detergent.  
DO NOT use solvents.
4. Examine the equipment regularly for signs of damage or wear.
5. Replace any defective components immediately and/or keep the equipment out of use until repair.
6. **Failure to examine regularly may affect the safety level of the equipment.**

## OPERATION NOTES

This equipment should be placed on flat surface. The incline or decline of surface should be limited to 3% or less for best performance and safety.

### Cable Tension Adjustment



Adjust the tension of the Cable System by adjusting the position of the pulley (#51) on the Double Floating Pulley Bracket (#21).

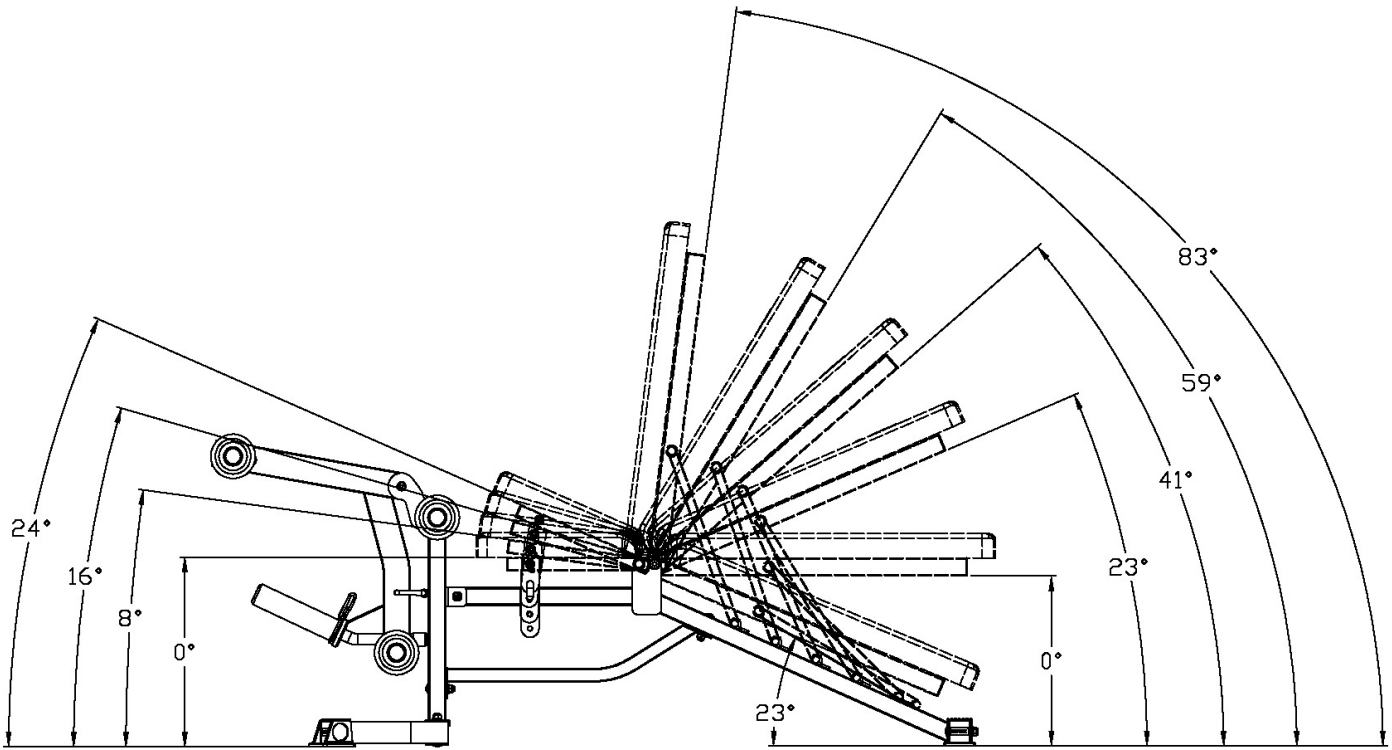
If the tension is too loose, move the pulley up until desired tension is achieved.

If the tension is too tight, move the pulley down .

### Bench Backrest Adjustment Angles

Backrest angle adjustment ranges from  $-23^{\circ}$  to  $83^{\circ}$ .

Seat angle adjustment ranges from  $0^{\circ}$  to  $24^{\circ}$ .



# MD-7492 WEIGHT RESISTANCE CHART

<b>Station</b>	<b>Ratio</b>	<b>Example</b>
Low Pulley	100%	10 lb. plate creates 10 lb. resistance
Butterfly (together)	200%	10 lb. plate creates 20 lb. resistance
Left Cross-Over	50%	10 lb. plate creates 5 lb resistance
Right Cross-Over	50%	10 lb. plate creates 5 lb resistance
Lat Pull (individual)	50%	10 lb. plate creates 5 lb. resistance
Lat Pull (linked)	100%	10 lb. plate creates 10 lb. resistance

**\*Numbers are approximate. Actual resistance may vary.**

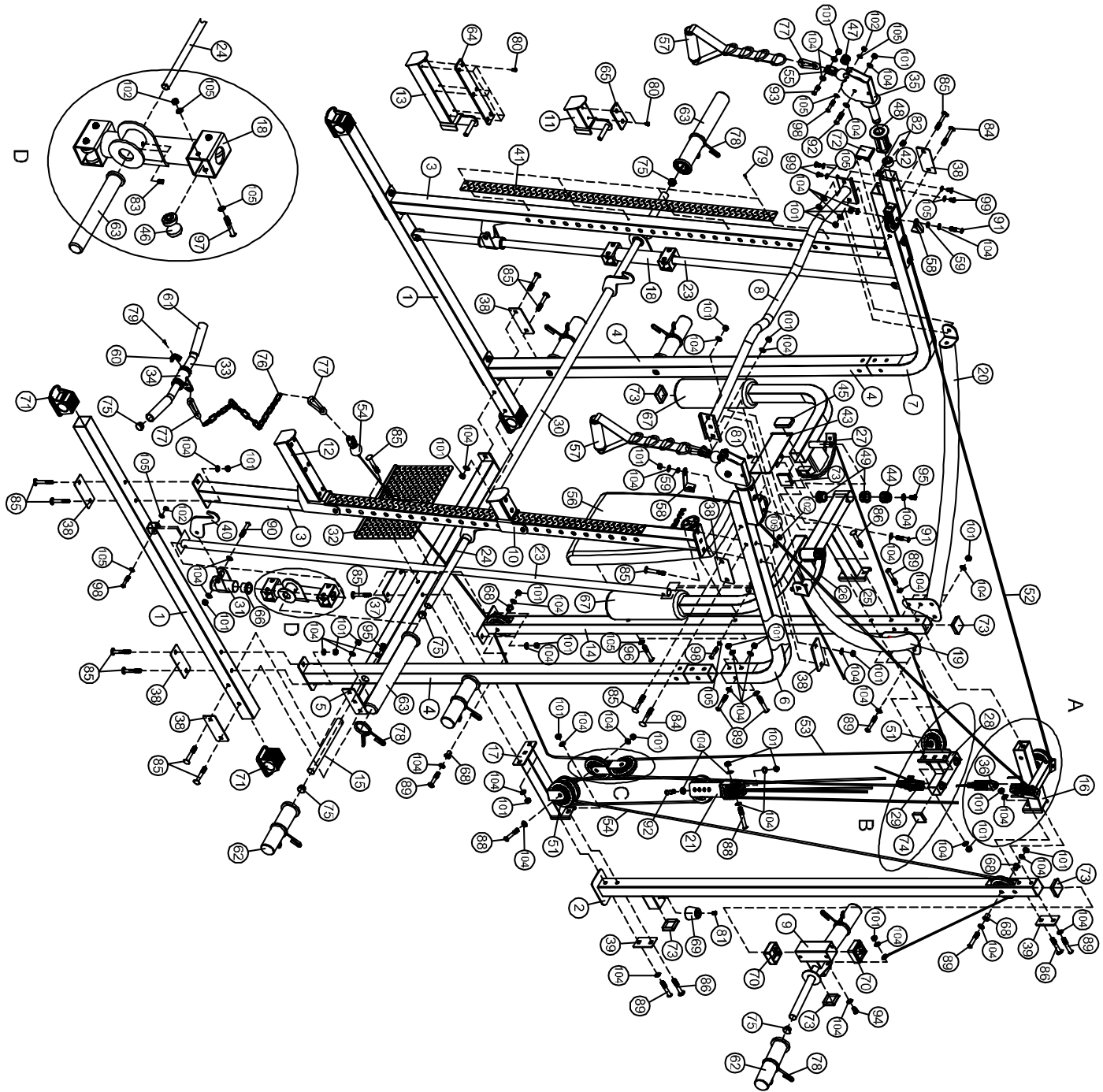
## MD-7492 DELUXE SMITH MACHINE PARTS LIST

PART NO	DESCRIPTION	SIZE	QUANTITY
1	Base Frame		2
2	Rear Vertical Frame		1
3	Front Vertical Beam		2
4	Front Vertical Frame		2
5	Cross Brace		1
6	Left Upper Frame		1
7	Right Upper Frame		1
8	Pullup Bar		1
9	Weight Trolley		1
10	Left Bar Catch		1
11	Right Bar Catch		1
12	Left Safety Catch		1
13	Right Safety Catch		1
14	Center Vertical Frame		1
15	Weight Storage Post		4
16	Upper Frame Connector		1
17	Lower Frame Connector		1
18	Guide Rod Sleeve		2
19	Left Upper Brace		1
20	Right Upper Brace		1
21	Double Floating Pulley Bracket		1
22	Angled Double Floating Pulley Bracket		1
23	Guide Rod		2
24	Weight Bar		1
25	Butterfly Base		1
26	Left Butterfly		1
27	Right Butterfly		1
28	Butterfly Pulley Base		1
29	Butterfly Pulley Bracket		2
30	Lifting Sleeve		1
31	Guide Rod Safety Sleeve		2
32	Row Plate		1
33	Short Bar		1
34	Short Bar Connector		1
35	Cable Cross Pulley Bracket		2
36	Upper Frame Connector Pulley Bracket		1
37	Bracket	5½"×2"	1
38	Bracket	4¾"×2"	10
39	Bracket	3"×1¾"	2
40	Safety Hook		2
41	Striker Plate		2

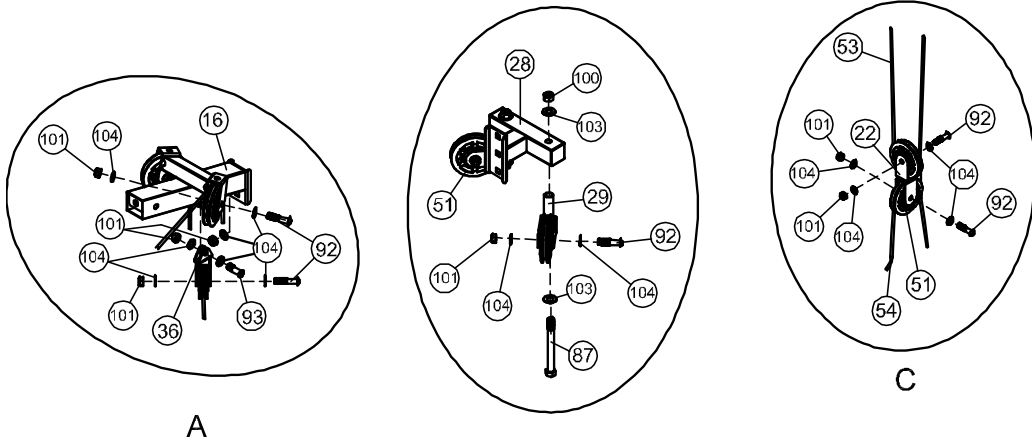
42	Cable Cross Washer		2
43	Butterfly Base Plate		1
44	Locking Ring		2
45	Bumper - Butterfly		2
46	Smith Sleeve Wheel		8
47	Pulley Wheel		2
48	Cable Cross Bushing		2
49	Butterfly Base Bushing		4
50	Small Pulley		3
51	Large Pulley		15
52	Cable Cross Cable	L = 295"	1
53	Butterfly Cable	L = 126"	1
54	Lowe Pulley Cable	L= 205"	1
55	Cable Clamp		2
56	Backrest Pad		1
57	Adjustable Handle		2
58	Cable Retainer		2
59	Spacer		2
60	Short Bar Connector Bracket		4
61	Short Bar Foam sleeve		2
62	Storage Post Olympic Sleeve		6
63	Weight Bar Olympic Sleeve		2
64	Bar Catch Bumper		2
65	Safety Catch Bumper		2
66	Bar Catch Bushing		4
67	Butterfly Foam Roller		2
68	Pulley Spacer		4
69	Weight Trolley Bumper		1
70	Weight Trolley Sleeve Bushing		2
71	Rubber Feet		4
72	Square End Cap	□2"	2
73	Square End Cap	□1¾"	8
74	Square End Cap	□1½"	2
75	Round End Cap	Φ1"	10
76	Chain	15-links	1
77	Carabiner clip		4
78	Spring Collar		8
79	Rivets		12
80	Allen Bolt	M6×½"	16
81	Screw	M6×⅝"	3
82	Flat Head Allen Bolt	M6×¼"	4
83	Flat Head Allen Bolt	M8×½"	4
84	Carriage Bolt	M10×3"	2

85	Carriage Bolt	M10×2 <sup>3</sup> / <sub>4</sub> "	22
86	Carriage Bolt	M10×2 <sup>1</sup> / <sub>2</sub> "	4
87	Hex Bolt	M12×5"	2
88	Allen Bolt	M10×3"	2
89	Allen Bolt	M10×2 <sup>1</sup> / <sub>2</sub> "	14
90	Allen Bolt	M10×2 <sup>3</sup> / <sub>8</sub> "	2
91	Allen Bolt	M10×2"	2
92	Allen Bolt	M10×1 <sup>3</sup> / <sub>4</sub> "	10
93	Allen Bolt	M10×1 <sup>3</sup> / <sub>8</sub> "	3
94	Allen Bolt	M10×1"	1
95	Allen Bolt	M10× <sup>3</sup> / <sub>4</sub> "	6
96	Allen Bolt	M8×2 <sup>1</sup> / <sub>2</sub> "	2
97	Allen Bolt	M8×2 <sup>3</sup> / <sub>8</sub> "	8
98	Allen Bolt	M8×1 <sup>3</sup> / <sub>4</sub> "	6
99	Allen Bolt	M8× <sup>3</sup> / <sub>8</sub> "	8
100	Aircraft Nut	M12	2
101	Aircraft Nut	M10	59
102	Aircraft Nut	M8	14
103	Washer	Φ1"	4
104	Washer	Φ <sup>3</sup> / <sub>4</sub> "	99
105	Washer	Φ <sup>5</sup> / <sub>8</sub> "	38
	Allen Key 6#		1
	Allen Key 5#		1
	Allen Key 4#		1

# MD-7492 SMITH MACHINE EXPLODED DIAGRAM



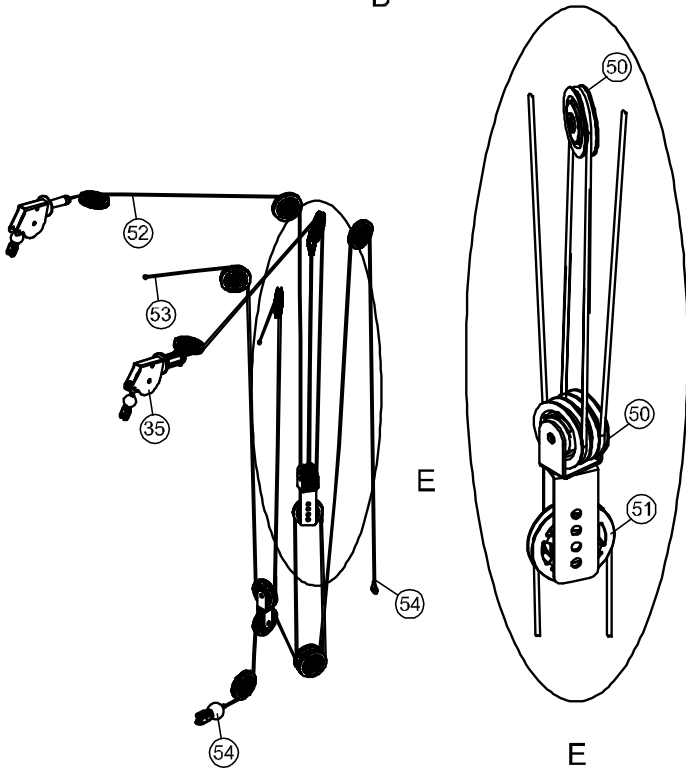




A

B

C



E

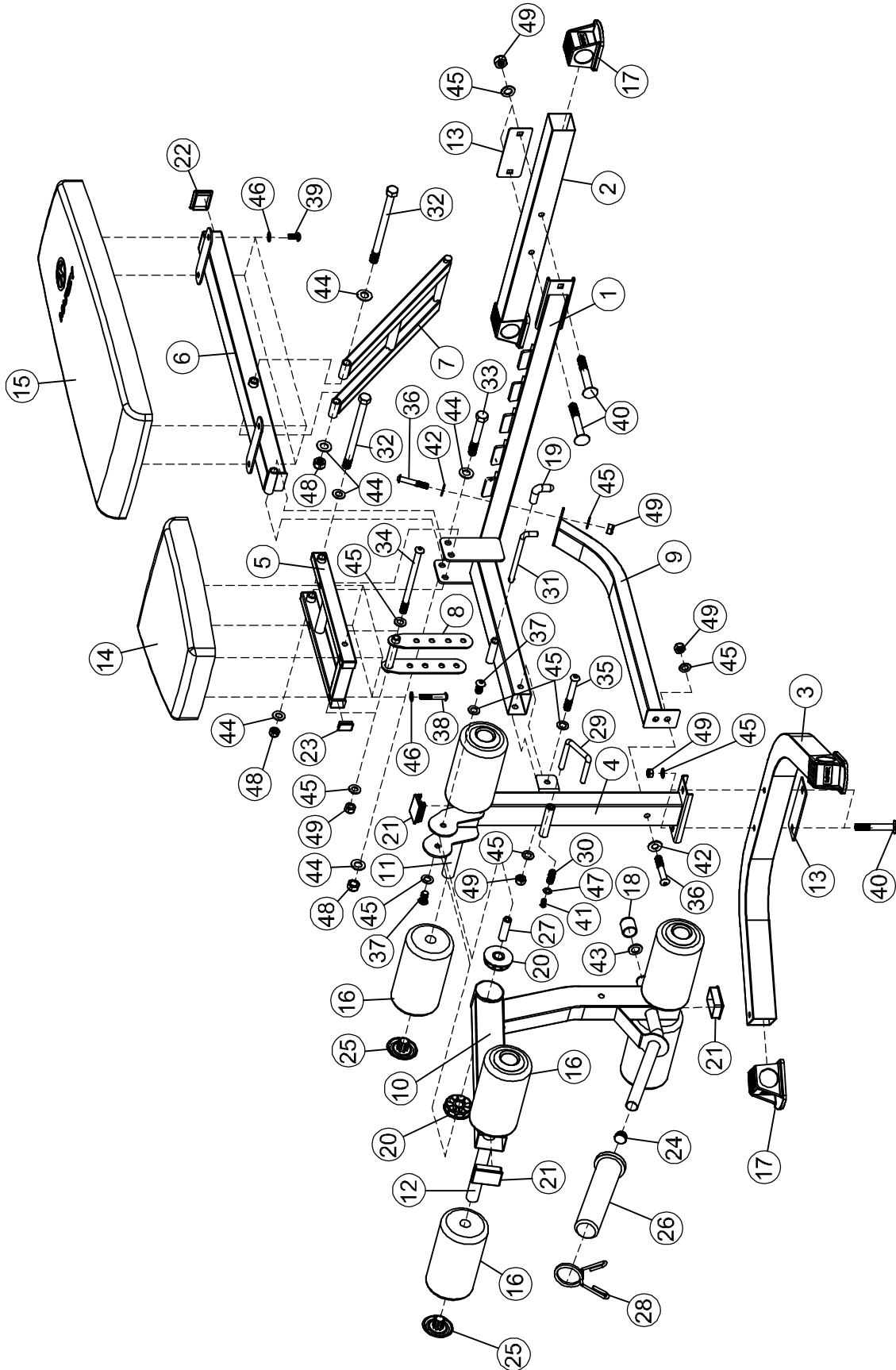
E

## MD-7492 BENCH PARTS LIST

PART NO	DESCRIPTION	SIZE	QUANTITY
1	Main Frame		1
2	Rear Stabilizer		1
3	Front Stabilizer		1
4	Front Post		1
5	Seat Support		1
6	Backrest Support		1
7	Backrest Incline Support		1
8	Seat Incline support		1
9	Main Frame Support		1
10	Leg Developer		1
11	Roam Roller Tube		1
12	Foam Roller Tube		2
13	Bracket		2
14	Seat Pad		1
15	Backrest Pad		1
16	Roam Roller		6
17	Rubber Feet		4
18	Bumper		1
19	Rubber Sleeve		1
20	Spacer		2
21	End Cap	□ <sup>3</sup> / <sub>4</sub> "x2 <sup>1</sup> / <sub>4</sub> "	3
22	End Cap	□ <sup>3</sup> / <sub>4</sub> "x2"	1
23	End Cap		4
24	Round End Cap	Φ1"	1
25	Foam Roller Tube End Cap		6
26	Olympic Sleeve		1
27	Pivot Sleeve		1
28	Spring Collar		1
29	U-Shape Locking Pin		1
30	Spring		1
31	L-Shape Locking Pin		1
32	Hex Bolt	M12x6 <sup>3</sup> / <sub>4</sub> "	2
33	Hex Bolt	M12x3 <sup>3</sup> / <sub>8</sub> "	1
34	Allen Bolt	M10x6"	1
35	Allen Bolt	M10x3 <sup>1</sup> / <sub>8</sub> "	1
36	Allen Bolt	M10x2 <sup>3</sup> / <sub>8</sub> "	2
37	Allen Bolt	M10x <sup>3</sup> / <sub>4</sub> "	2
38	Allen Bolt	M8x1 <sup>3</sup> / <sub>4</sub> "	4
39	Allen Bolt	M8x <sup>3</sup> / <sub>4</sub> "	4
40	Carriage Bolt	M10x2 <sup>3</sup> / <sub>4</sub> "	4
41	Flat Head Screw	M6x <sup>5</sup> / <sub>8</sub> "	1
42	Large Washer	Φ1 <sup>1</sup> / <sub>8</sub> "	2

43	Washer		1
44	Washer	Φ1"	6
45	Washer	Φ¾"	8
46	Washer	Φ⅝"	8
47	Washer	Φ½"	1
48	Aircraft Nut	M12	3
49	Aircraft Nut	M10	8

# MD-7492 BENCH EXPLODED DIAGRAM



# **IMPEX<sup>®</sup> INC.**

## **LIMITED WARRANTY**

IMPEX Inc. ("IMPEX<sup>®</sup>") warrants this product to be free from defects in workmanship and material, under normal use and service conditions, for a period of two years on the Frame from the date of purchase. This warranty extends only to the original purchaser. IMPEX's obligation under this Warranty is limited to replacing or repairing, at IMPEX's option.

All returns must be pre-authorized by IMPEX. Pre-authorization may be obtained by calling IMPEX Customer Service Department at 1-800-999-8899. All freights on products returned to IMPEX must be prepaid by the customer. This warranty does not extend to any product or damage to a product caused by or attributable to freight damage, abuse, misuse, improper or abnormal usage or repairs not provided by an IMPEX authorized service centre or for products used for commercial or rental purposes. No other warranty beyond that specifically set forth above is authorized by IMPEX.

IMPEX is not responsible or liable for indirect, special or consequential damages arising out of or in connection with the use or performance of the product or other damages with respect to any economic loss, loss of property, loss of revenues or profits, loss of enjoyments or use, costs of removal, installation or other consequential damages of whatsoever natures. Some States do not allow the exclusion or limitation of incidental or consequential damages. Accordingly, the above limitation may not apply to you.

The warranty extended hereunder is in lieu of any and all other warranties and any implied warranties of merchantability or fitness for a particular purpose is limited in its scope and duration to the terms set forth herein. Some States do not allow limitations on how long an implied warranty lasts. Accordingly, the above limitation may not apply to you.

This warranty gives you specific legal right. You may also have other rights which vary from State to State. Register online at [www.marcypro.com](http://www.marcypro.com).

**IMPEX<sup>®</sup> INC.**  
**2801 S. Towne Ave.**  
**Pomona, CA 91766**

### **ORDERING REPLACEMENT PARTS**

Replacement parts can be ordered by calling our Customer Service Department toll-free at **1-800-999-8899** during our regular business hours: Monday through Friday, 9 a.m. to 5 p.m. Pacific standard time.

**[support@impex-fitness.com](mailto:support@impex-fitness.com)**

When ordering replacement parts, always give the following information.

1. Model
2. Description of Parts
3. Part Number
4. Date of Purchase